

## SBX1KL10000

SBX-1KL SERIES SHEAR BEAM LOAD CELLS, 10000kg



Stainless steel approved shear beam load cells, suitable for creating CE-M approved scales with 4 load cells, or for weighing tanks and hoppers, with the aid of its accessories.

---

CAPACITIES (kg): 10000.

---

OIML R60. C3 precision class.

---

Stainless steel. IP68 protection.

---

Working in cooperation with:

**HUNTEK SYSTEM CO., LTD**

3F.NO 138, SEC 1, GUANGFU ROAD - - SANCHONG CITY-TAIPEI COUNTY - TAIWAN  
Tel. 00886-2-85111234 Fax. 00886-2-85111243  
fred.chan@huntek.com.tw

The best solution  
for advanced industrial  
applications

## MAIN FEATURES

- C3 PRECISION CLASS
- STAINLESS STEEL CONSTRUCTION WITH LASER WELDING
- IP68 PROTECTION
- CAPACITIES 10000 kg
- SHIELDED CONNECTION CABLE
- TEST CERTIFICATE AVAILABLE UPON REQUEST

## TECHNICAL FEATURES

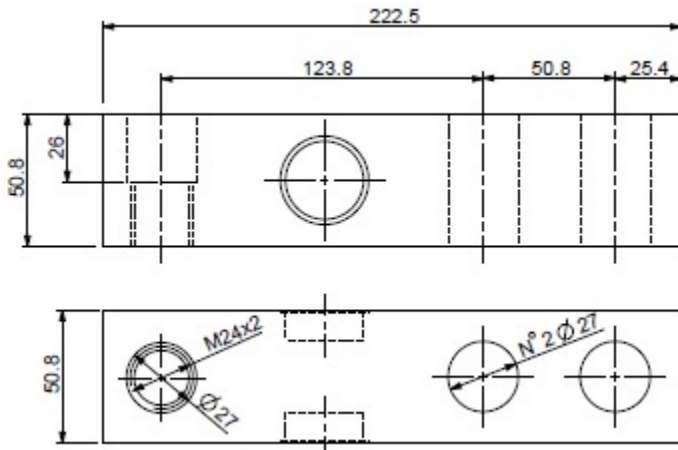
- Minimum load cell verification interval  $V_{min} = E_{Max} / 10.000$
- Maximum number of verification intervals  $n_{LC} = 3000$
- Combined error 0,017% of Full Scale Output (F.S.)
- Full Scale Output 2mV/V +/- 0.5%
- Temperature effect on zero 0,002% / °C
- Temperature effect on full scale output 0,002% / °C
- Compensated Temperature Range -10°C/+50°C
- Operating Temperature Range -20°C/+60°C
- Creep error after 30 minutes 0,02% F.S.
- Maximum tolerated excitation voltage 15 VDC
- Input Resistance  $1100 \pm 20$  Ohm.
- Output Resistance  $1000 \pm 20$  Ohm.
- Insulation Resistance >5000 MOhm
- Safe Overload 150% F.S.
- Ultimate Overload 300% F.S.
- 6-wire shielded cable, 5m long, 5 mm diameter

## ATEX VERSION

- The CCATEX certificate makes the load cell suitable for use in hazardous areas with protection methods according to:  
ATEX II 1G Ex ia IIC T6 (Ta -20÷+40°C) TX (Ta -20÷+65°C) Ga  
ATEX II 1D Ex ta IIIC TX°C (Ta -20÷+40°C) TX°C (Ta -20÷+65°C) Da IP65.  
The certificate includes the manual and the ATEX CE conformity declaration (available in EN, DE, FR, and IT).
- IMPORTANT: the certificate refers to the single load cell. For systems with more load cells, it is necessary to order one certificate for each load cell.

## DIMENSIONS - DECODING STANDARD CABLE

- NOTE: dimensions in mm



- Decoding of the standard cable colours

Colour	Function
--	SHIELD
YELLOW	OUTPUT +
GREY	SENSE +
BROWN	INPUT +
WHITE	OUTPUT -
GREEN	INPUT -
PINK	SENSE -

## VERSIONS

Versioni disponibili

Codice

SBX10000-1KL **M**

Max  
(kg)

10000



www.diniargeo.com



“YOUR WORLDWIDE PARTNER FOR WEIGHING,”

DINI ARGEO  
FRANCE sarl  
Nogent-sur-Marne

DINI ARGEO  
GMBH  
Sinsheim - Germany

DINI ARGEO  
UK Ltd  
Taunton - United Kingdom

DINI ARGEO WEIGHING  
INSTRUMENTS Ltd  
Shanghai - China

DINI ARGEO  
WEIGHBRIDGES  
Calto (RO) – Italy



HEAD OFFICE  
Via Della Fisica, 20  
41042 Spezzano di Fiorano Modena - Italy



**HUNTEK SYSTEM CO., LTD**

3F.NO 138, SEC 1, GUANGFU ROAD - - SANCHONG CITY-TAIPEI COUNTY - TAIWAN

Tel. 00886-2-85111234 Fax. 00886-2-85111243

fred.chan@huntek.com.tw

SALES AND TECHNICAL ASSISTANCE SERVICE